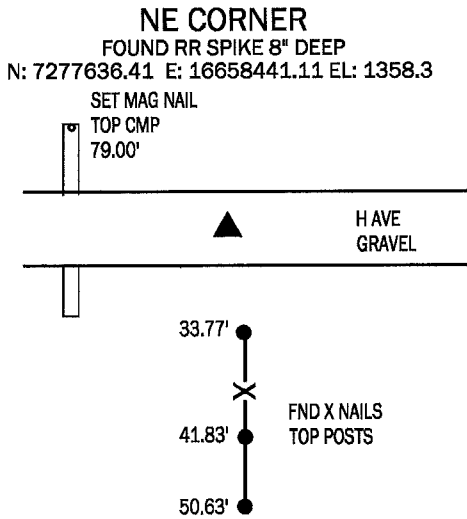


Denise Meeves RECORDER  
 Crawford County, Iowa  
 Instr. Number: 2017-0958  
 Recorded: 5/10/2017 at 3:27:52.0 PM  
 Pages 1  
 Fee Amount: \$7.00  
 Revenue Tax:

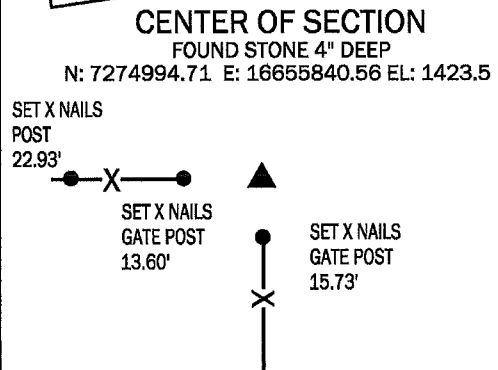
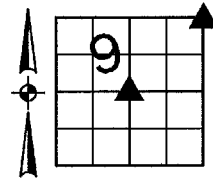
PREPARED BY AND RETURN TO: MIKE SCHULTE, SCHULTE SURVEYING, INC., 2003 390TH STREET, WESTSIDE, IA 51467 (712) 790-3489

**UNITED STATES PUBLIC LAND SURVEY CORNER CERTIFICATE OF**  
 LAND SURVEY MONUMENTS SITUATED IN SECTION 9, TOWNSHIP 84 NORTH, RANGE 37 WEST, OF THE FIFTH  
 PRINCIPAL MERIDIAN, CRAWFORD COUNTY, IOWA. PREVIOUSLY RECORDED IN 2017-0781 IN COUNTY  
(book, page instrument number)  
 RECORDER'S OFFICE.



FOUND RR SPIKE 8" DEEP USING METAL LOCATOR AND TIES FROM FEE BOOK 2006-2410. METAL READING WAS LOW FOR SPIKE AND CULVERT DID NOT HAVE A DEFINED MONUMENT SO ONE WAS SET, AND CORNER RE-TIED WITH COORDINATE PROVIDED.

**NOTE:**  
 TIE PREVIOUSLY RECORDED IN INST #2017-0781 HAD THE CENTER OF SECTION MISLABELED BELOW. THIS CERTIFICATE IS BEING FILED TO CORRECT THE ERROR.



NO RECORDED TIES OR ENGINEERS TIES WERE FOUND. ON HOLY THURSDAY APRIL 13, I ARRIVED AT THE CENTER OF CENTER LOCATION. I WAS NOT EXPECTING TO SPEND MUCH TIME LOOKING FOR A MONUMENT THAT WAS NOT DOCUMENTED, BUT RATHER SUBSIDED TO THE FACT I WOULD NEED TO WASTE MY DAY FINDING AND TYING THE S1/4 E1/4 AND W1/4 CORNERS THAT WOULD VERIFY THE FENCE LOCATION AT THE CENTER OF SECTION. BUT I DID MAKE AN EFFORT USING A METAL LOCATOR TO SEARCH FOR A MONUMENT AT THE INTERSECTION OF FENCES. I RECEIVED A READING AND DUG. TO MY DISBELIEF, I FOUND A 60D SPIKE NEXT TO A POINTED LIMESTONE ABOUT 4" DEEP. ACCEPTED STONE AS THE ORIGINAL SURVEY MONUMENT SET WHEN THE SECTION WAS SPLIT. TIED CORNER BECAUSE NO CURRENT TIES ARE ON RECORD.

I HEREBY CERTIFY THAT THIS LAND SURVEYING DOCUMENT WAS PREPARED BY ME OR UNDER MY DIRECT PERSONAL SUPERVISION AND THAT I AM A DULY LICENSED PROFESSIONAL LAND SURVEYOR UNDER THE LAWS OF THE STATE OF IOWA.

*Mike Schulte*  
 MIKE SCHULTE  
 LICENSE NUMBER: 17979  
 LICENSE RENEWAL DATE IS DECEMBER 31, 2017  
 PAGES COVERED BY THIS SEAL: 1 OF 1

2017/05/08  
 DATE



\*All distances are measured horizontally unless noted.

**LIST CORNERS TO BE INDEXED**

CORNER	SECTION	TWP	RANGE
CENTER	9	84	37
NE COR	9	84	37
NW COR	10	84	37
SW COR	3	84	37
SE COR	4	84	37

**BASIS OF BEARING**  
 IaRCS ZONE 6 - US SURVEY FEET  
 IaRTN DERIVED - NAD83(2011)(EPOCH 2010.00)

**SCHULTE SURVEYING, INC.**

DRAWN BY: MLS  
 PROJ NUMBER: 17-018