

INDEXED 317
 FOLLOW UP _____
 PROOFED _____
 SCANNED _____

Instrument #: 2016-2201
 10/21/2016 08:48:44 AM Total Pages: 1
 PLC PLAT CORNER CER
 Recording Fee: \$7.00 Transfer Tax: \$0
 Denise Reeves, Recorder, Crawford County Iowa



PREPARED BY - JOSEPH P. RUESCHENBERG - SUNDQUIST ENGINEERING - 120 S. MAIN, DENISON, IOWA 51442 - PHONE (712) 263-8118

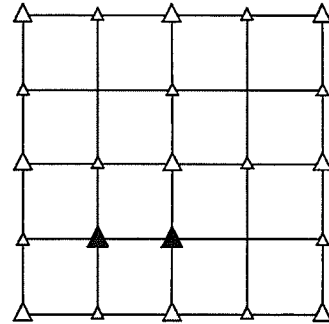
**UNITED STATES PUBLIC LAND SURVEY CORNER CERTIFICATE
 OF**

LAND SURVEY MONUMENT SITUATED IN SECTION 1, T 82 N, R 39 W OF
 THE 5TH P.M., CRAWFORD COUNTY, IOWA.
 PREVIOUSLY RECORDED IN BOOK _____, PAGE _____, OTHER _____

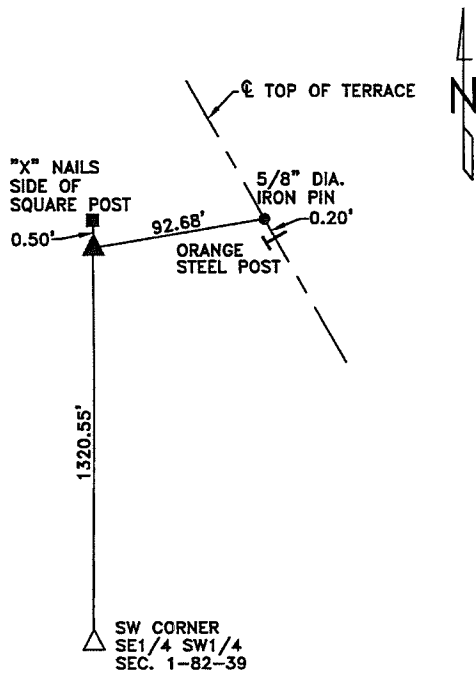
MONUMENT DESCRIPTION AND REMARKS

NW CORNER
 SE1/4 SW1/4 - FOUND IRON PIN W/YELLOW CAP #8893 FLUSH.

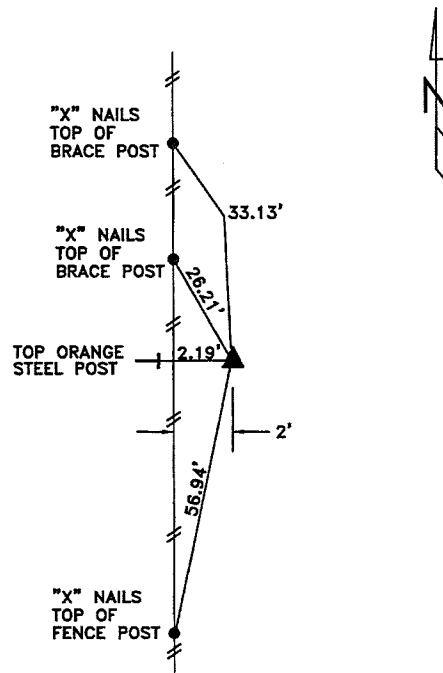
NE CORNER
 SE1/4 SW1/4 - FOUND IRON PIN W/YELLOW CAP #8893 FLUSH.



PLAN VIEW SHOWING RELATIVE LOCATION OF MONUMENT AND REFERENCE POINTS.



DISTANCES PLUMB CHAINED
 NW CORNER SE1/4 SW1/4
 SECTION 1-82-39



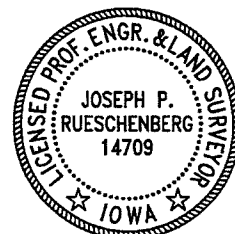
DISTANCES PLUMB CHAINED
 NE CORNER SE1/4 SW1/4
 SECTION 1-82-39

I HEREBY CERTIFY THAT THIS LAND SURVEYING DOCUMENT WAS PREPARED AND THE RELATED SURVEY WORK WAS PERFORMED BY ME OR UNDER MY DIRECT PERSONAL SUPERVISION AND THAT I AM A DULY LICENSED LAND SURVEYOR UNDER THE LAWS OF THE STATE OF IOWA.

Joseph P. Rueschenberg 10-12-2016
 JOSEPH P. RUESCHENBERG DATE

IA LICENSE NO. 14709

EXP. DATE DECEMBER 31, 2016



SE PROJECT NO. 23816
 DRAWN BY: LLL