

2002 JUN 11 PM 3:47
 DIST. NO. 2002-2417
 OFFICE REEVES, RECORDER
Denise Reeves
 FEB 6, 2002

RECORDED
 FILED
 INDEXED
[Signature]

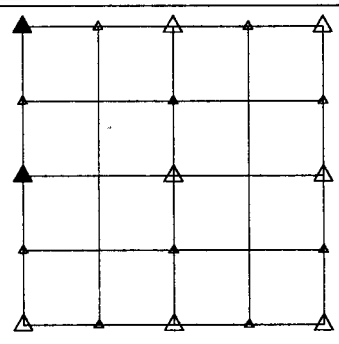
PREPARED BY - PAUL J. ASSMAN - LICENSED LAND SURVEYOR - DENISON, IOWA 51442 - PHONE (712)263-8747

UNITED STATES PUBLIC LAND SURVEY CORNER CERTIFICATE

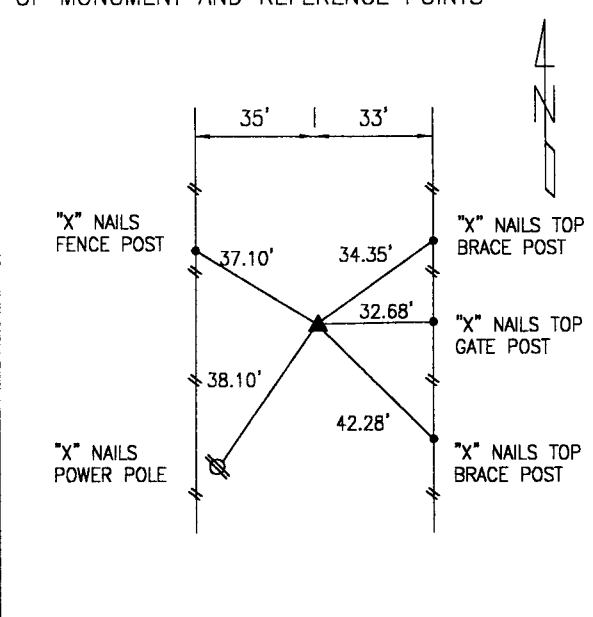
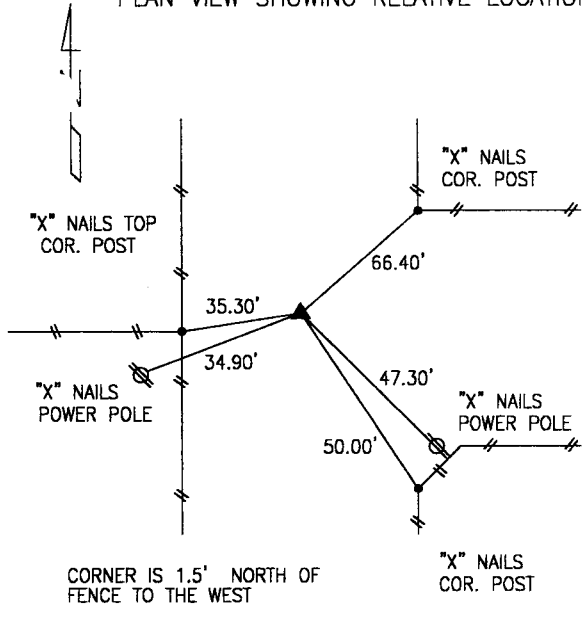
OF

LAND SURVEY MONUMENT SITUATED IN SECTION 18, T 82 N, R 38 W OF
 THE 5TH P.M., CRAWFORD COUNTY, IOWA.
 PREVIOUSLY RECORDED IN BOOK _____, PAGE _____, OTHER _____

MONUMENT DESCRIPTION AND REMARKS
 NW CORNER - FOUND BRASS CAP IN MONUMENT
 20" DEEP
 W 1/4 CORNER - FOUND 5/8" REBAR
 6" DEEP



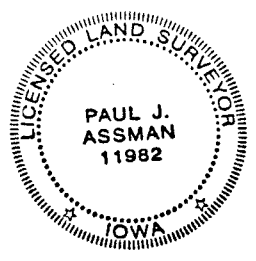
PLAN VIEW SHOWING RELATIVE LOCATION OF MONUMENT AND REFERENCE POINTS



DISTANCES SLOPED CHAINED
 NW CORNER SECTION 18-82-38

DISTANCES SLOPED CHAINED
 W 1/4 CORNER SECTION 18-82-38

I HEREBY CERTIFY THIS LAND SURVEYING DOCUMENT WAS PREPARED AND THE RELATED SURVEY WORK WAS PERFORMED BY ME OR UNDER MY DIRECT SUPERVISION AND THAT I AM A DULY LICENSED LAND SURVEYOR UNDER THE LAWS OF THE STATE OF IOWA.



Paul J. Assman
 PAUL J. ASSMAN
 IA LICENSE NO. 11982

6/20/02
 DATE
 EXP. DATE DECEMBER 31, 2002

DRAWN BY SJW