



INDEXED  
FOLLOW UP  
PROOFED  
SCANNED

Crawford Denise Meeves  
FEE BOOK 2005-0718 3/24/2005 @ 01:37PM  
PLC PLAT CORNER CERBook: Page:05-0718 #: 1  
Total Fees: \$7.00

PREPARED BY: JEFFREY M. KRUEGER L.S., KUEHL AND PAYER LTD., 423 WEST MAIN ST., SAC CITY, IA 50583 PH. (712)662-7859

**UNITED STATES PUBLIC LAND SURVEY CORNER CERTIFICATE  
OF**

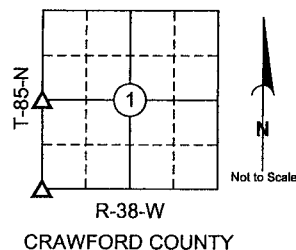
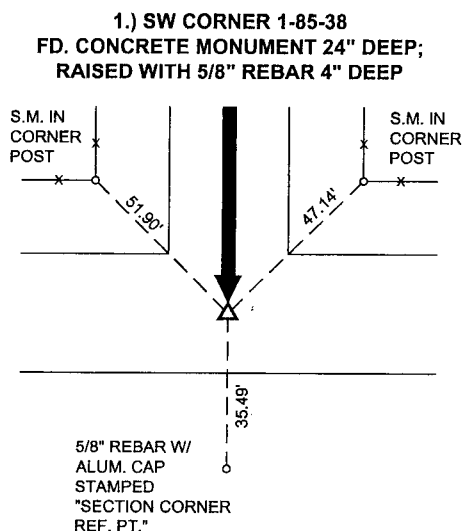
LAND SURVEY MONUMENTS SITUATED IN SECTION 1, TOWNSHIP 85 NORTH,  
RANGE 38 WEST, OF THE 5TH PRINCIPAL MERIDIAN, CRAWFORD COUNTY, IOWA.

PREVIOUSLY RECORDED IN BOOK \_\_\_\_\_ PAGE \_\_\_\_\_

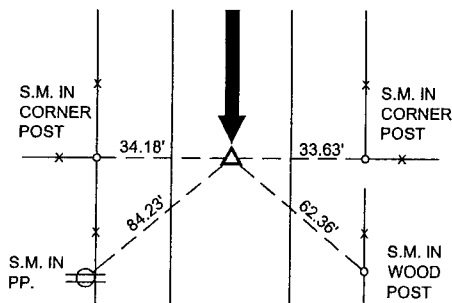
MONUMENT DESCRIPTION AND REMARKS:

- 1.) SW CORNER 1-85-38: FD. CONCRETE MONUMENT 24" DEEP; RAISED WITH 5/8" REBAR 4" DEEP
- 2.) W 1/4 CORNER 1-85-38: FD. CONCRETE MONUMENT 30" DEEP; RAISED WITH 5/8" REBAR 6" DEEP

**PLAN - VIEW**



**2.) W 1/4 CORNER 1-85-38  
FD. CONCRETE MONUMENT 30" DEEP;  
RAISED WITH 5/8" REBAR 6" DEEP**



S.M. = SURVEY MARKER  
PLASTIC REFERENCE DISK  
AS SHOWN BELOW



I hereby certify that this land surveying document was prepared and the related survey work was performed by me or under my direct personal supervision and that I am a duly licensed Land Surveyor under the laws of the State of Iowa.

*Jeffrey M. Krueger* 3-24-2005  
Jeffrey M. Krueger Date:  
License Number 16749  
My license renewal date is December 31, 2006  
Pages covered by this seal 1

**List Corners to be Indexed**

Corners	Section	Township	Range
1) SW	1	85	38
2) W 1/4	1	85	38