

FILED DENISON, IOWA
CRAWFORD COUNTY

96 NOV 26 AM 9:49

HIST. NO. 96-3231
DENISE MEEVES, RECORDER
Denise Meeves
FEE: 6.00

INDEXED
FILED
MVC

This document prepared by: Semke & Associates - 712-792-2276
Michael G. Semke, L.S. #10318 - 608 N. Court St., Carroll, Iowa

UNITED STATES PUBLIC LAND SURVEY CORNER CERTIFICATE
OF

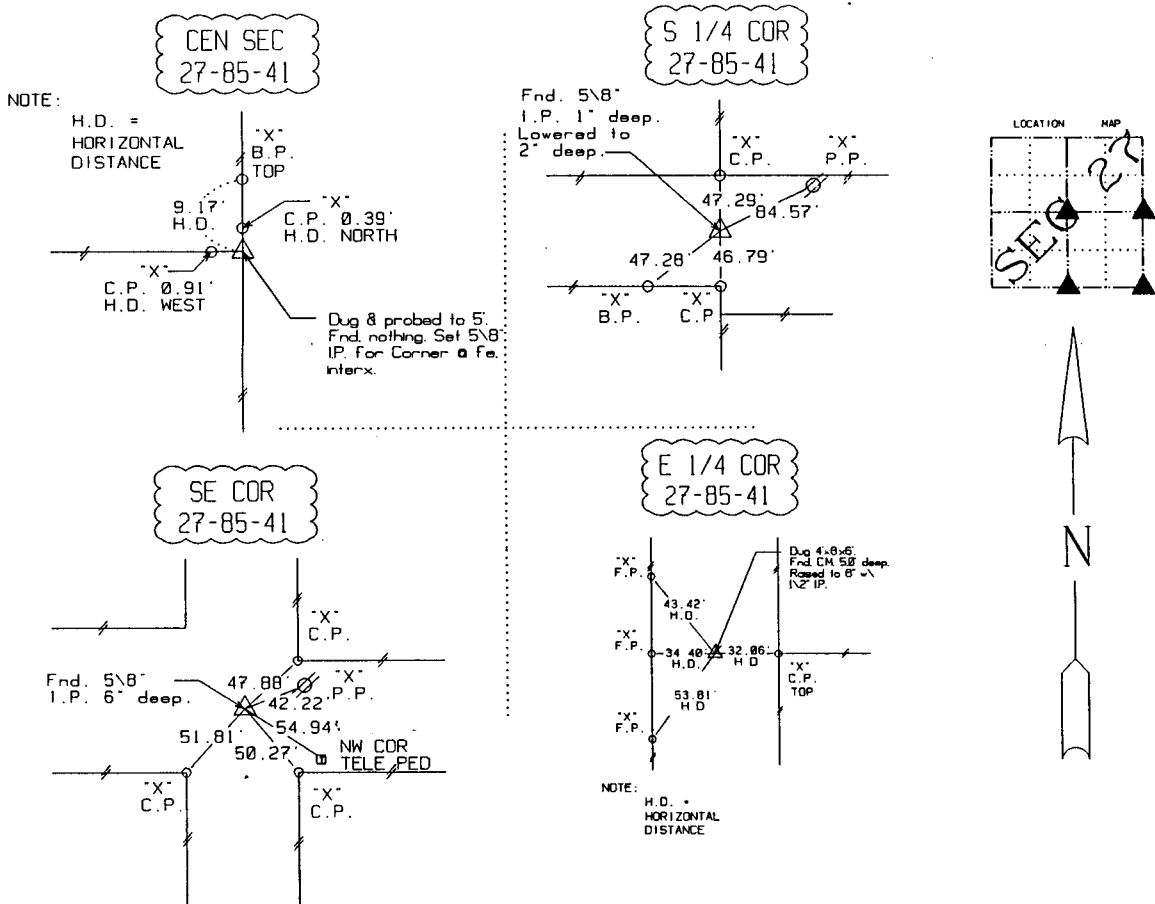
Land Survey Monuments situated in Section 27, Township 85, Range 41, of the Fifth Principal Meridian, Crawford County, Iowa. Previously recorded in _____ in County Recorder's Office.

(book, page, document number, etc.)

(Show reason for preparing this certificate, the evidence and detailed procedures used in establishing the corner positions and monumentation found or placed.)

PLAN - VIEW

(Show a minimum of three reference ties to durable physical objects, relevant monuments and physical conditions that will enable recovery of the corner.)



Note: All ties slope chained unless noted.

I HEREBY CERTIFY THAT THIS CORNER CERTIFICATE WAS PREPARED BY ME OR UNDER MY DIRECT PERSONAL SUPERVISION AND THAT I AM A DULY REGISTERED LAND SURVEYOR UNDER THE IMMEDIATE JURISDICTION OF IOWA. MY REGISTRATION EXPIRES 12-31-2012

11-25-96
DATE

REGISTERED LAND SURVEYOR
Michael G. Semke
MICHAEL G. SEMKE
RES NO 10318

Corners	List Corners to be Indexed		
	Section	Twp	Range
CTR SEC.	27	85	41
E 1/4	27	85	41
W 1/4	26	85	41
SE COR	27	85	41
SW COR	26	85	41
NE COR	34	85	41
NW COR	35	85	41
S 1/4	27	85	41
N 1/4	34	85	41