

INDEX DM DM  
 SCAN DM  
 FOLLOW UP DM  
 PROOF DM

Instrument #: 2022-0737  
 03/18/2022 09:54:17 AM Total Pages: 1  
 PLC PLAT COR CERT  
 Recording Fee: \$0.00 Transfer Tax: \$0  
 Denise Meeves, Recorder, Crawford County Iowa



PREPARED BY: PAUL ASSMAN-CRAWFORD COUNTY ENGINEER'S OFFICE-COURTHOUSE-DENISON, IA.-712-263-2449

## UNITED STATES PUBLIC LAND SURVEY CORNER CERTIFICATE OF

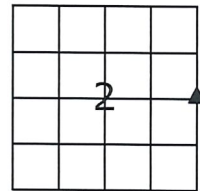
LAND SURVEY MONUMENT SITUATED IN SOLDIER TOWNSHIP, THE EAST 1/4 CORNER OF SECTION 2, T-85N,  
R-41W OF THE FIFTH P.M. CRAWFORD COUNTY, IOWA.

PREVIOUSLY RECORDED IN THE SOLDIER TWP. FIELD BOOK PG. 5, COUNTY ENGINEER'S OFFICE

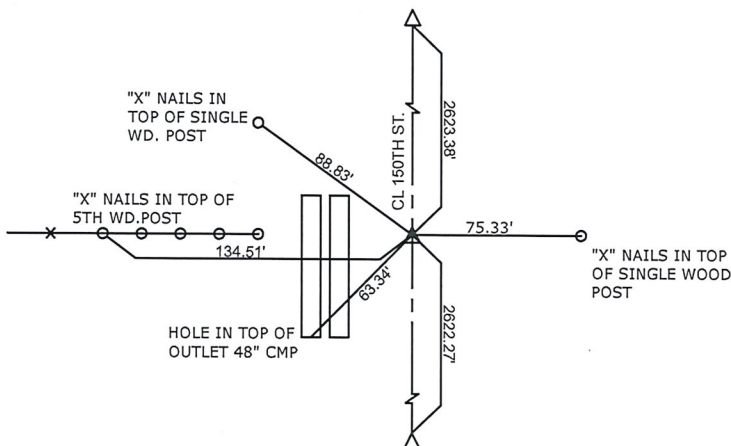
### MONUMENT DESCRIPTION AND REMARKS

EAST 1/4 CORNER SEC. 2-85-41

NO LEAD PLUG FOUND AT CORNER LOCATION. PLUG WAS POSSIBLY REMOVED AS THERE IS A PAVEMENT PATCH AT THE LOCATION OF THE CORNER. COUNTY RESURFACED ROAD AND USED PREVIOUS TIE DISTANCE TO DECAYED CORNER POST TO THE WEST AND DISTANCES TO NE SEC CORNER AND SE SEC CORNER FOUND IN 1949 PAVING PLAN S-964(2) TO SET 1/2" X 4" CARRIAGE BOLT 1/4" BELOW SURFACE AND RETIED



EAST 1/4 CORNER SEC. 2-85-41



ALL TIE DISTANCES ARE HORIZONTAL DISTANCES MEASURED USING GPS

**CERTIFICATION:**

I HEREBY CERTIFY THAT THIS LAND SURVEYING DOCUMENT WAS PREPARED AND THE RELATED SURVEY WORK WAS PERFORMED BY ME OR UNDER MY DIRECT PERSONAL SUPERVISION AND THAT I AM A DULY LICENSED LAND SURVEYOR UNDER THE LAWS OF THE STATE OF IOWA.

Paul J. Assman  
Signature

3/16/22  
Date of Survey

PAUL J. ASSMAN  
Typed Name

11982  
L.S. No.

12-31-22  
License Renewal Date

Pages covered by this seal 1

