

INDEXED jm
 FOLLOW UP _____
 PROOFED _____
 SCANNED km

Instrument #: 2018-2590
 12/18/2018 10:04:51 AM Total Pages: 1
 PLC PLAT CORNER CER
 Recording Fee: \$7.00 Transfer Tax: \$0
 Denise Meeves, Recorder, Crawford County Iowa



PREPARED BY - JOSEPH P. RUESCHENBERG - SUNDQUIST ENGINEERING - 120 S. MAIN, DENISON, IOWA 51442 - PHONE (712) 263-8118

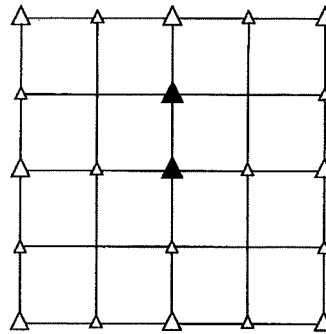
UNITED STATES PUBLIC LAND SURVEY CORNER CERTIFICATE
 OF

LAND SURVEY MONUMENT SITUATED IN SECTION 33, T 82 N, R 38 W OF
 THE 5TH P.M., CRAWFORD COUNTY, IOWA.
 PREVIOUSLY RECORDED IN BOOK _____, PAGE _____, OTHER _____

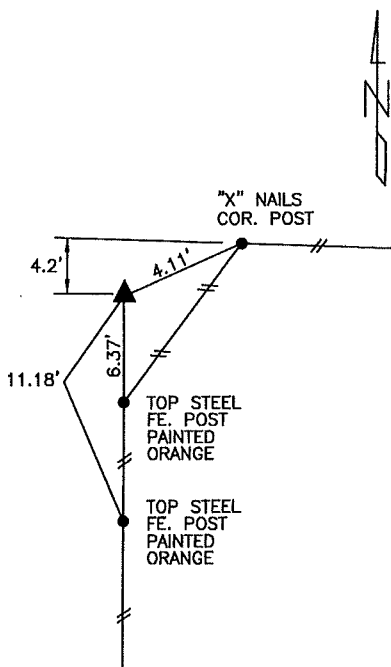
MONUMENT DESCRIPTION AND REMARKS

NW CORNER
 SW1/4 NE1/4 - SET 5/8" DIA. X 18" IRON PIN W/ORANGE CAP
 #14709 FLUSH. SET ON LINE & AT SPLIT BETWEEN
 CENTER OF SECTION AND N1/4 CORNER OF SECTION
 33.

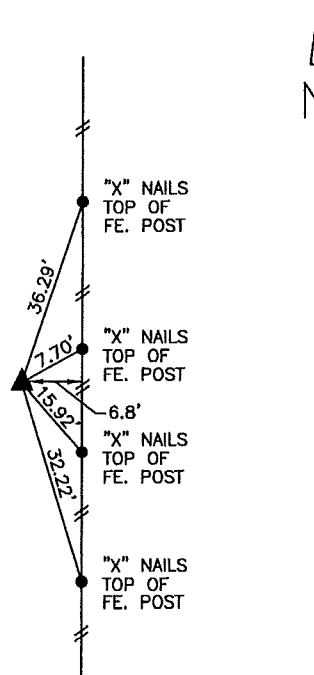
CENTER - SET 5/8" DIA. X 18" IRON PIN W/ORANGE CAP #14709
 FLUSH. SET AT INTERSECTION OF LINES BETWEEN S1/4
 COR. & N1/4 COR. AND W1/4 COR. & E1/4 COR. OF
 SECTION 33.



PLAN VIEW SHOWING RELATIVE LOCATION OF MONUMENT AND REFERENCE POINTS.



DISTANCES PLUMB CHAINED
 NW CORNER SW1/4 NE1/4
 SECTION 33-82-38



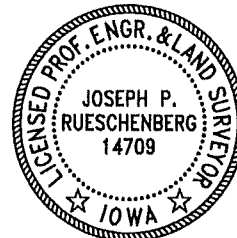
DISTANCES PLUMB CHAINED
 CENTER SECTION 33-82-38

I HEREBY CERTIFY THAT THIS LAND SURVEYING DOCUMENT WAS PREPARED
 AND THE RELATED SURVEY WORK WAS PERFORMED BY ME OR UNDER MY
 DIRECT PERSONAL SUPERVISION AND THAT I AM A DULY LICENSED LAND
 SURVEYOR UNDER THE LAWS OF THE STATE OF IOWA.

Joseph P. Rueschenberg 12-4-2018
 JOSEPH P. RUESCHENBERG DATE

IA LICENSE NO. 14709

EXP. DATE DECEMBER 31, 2018



SE PROJECT NO. 24518
 DRAWN BY: LLL