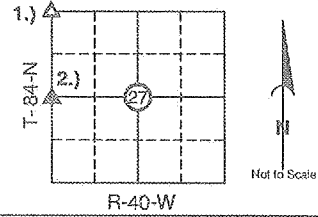


PREPARED BY J. SCOTT SHEVEL PLS, I&S GROUP, P.O. BOX 458 1725 N. LAKE AVE. STORM LAKE, IOWA 50588 TELEPHONE (712)732-6292

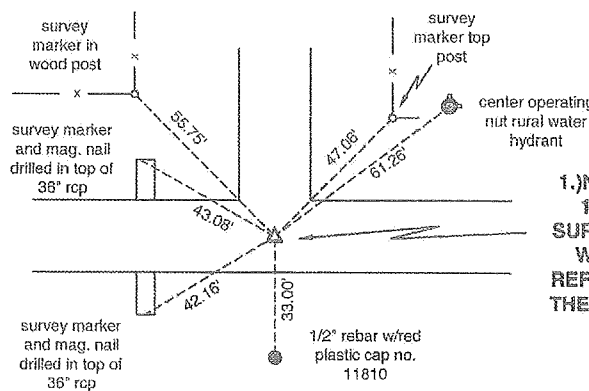
**UNITED STATES PUBLIC LAND SURVEY CORNER CERTIFICATE
 OF**

LAND SURVEY MONUMENTS SITUATED IN SECTION 27,
 TOWNSHIP 84 NORTH, RANGE 40 WEST
 OF THE 5TH P.M., CRAWFORD COUNTY, IOWA.

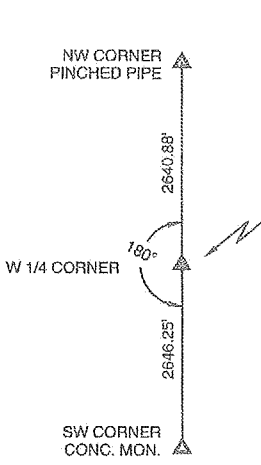


LEGEND OF SYMBOLS AND ABBREVIATIONS

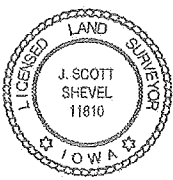
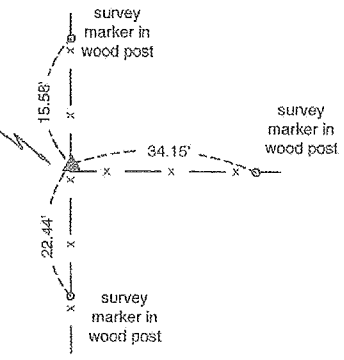
- = SECTION CORNER FOUND
- = SECTION CORNER SET
- = FENCE LINE
- SURVEY MARKER - 1-1/2" YELLOW/ORANGE PLASTIC DISK AS SHOWN
- SURVEY CONTROL REFERENCE BAR SET - 1/2" REBAR W/BLUE PLASTIC CAP AS SHOWN



1.)NW CORNER 27-84-40: FOUND 1" PINCHED PIPE 7" BELOW SURFACE OF GRAVEL ROADWAY WHICH CORRESPONDS WITH REFERENCE TIES ON RECORD AT THE COUNTY ENGINEERS OFFICE.



2.)W 1/4 CORNER 27-84-40: TIES ON RECORD AT THE COUNTY ENGINEERS OFFICE INDICATE A CONC. MONUMENT WAS SET ON LINE BETWEEN THE NW AND SW CORNERS AND IN LINE WITH FENCE EAST. LINE BETWEEN NW AND SW CORNERS MATCHES EXISTING CORNER POST POSITION VERY WELL. DUG AND PROBED ALL AROUND POST TO A DEPTH OF 4'. ROLLS OF BARBED WIRE HAVE BEEN BURIED AROUND THE POST. UNABLE TO LOCATE CONC. MONUMENT. SET 1/2" REBAR WITH RED PLASTIC CAP NO. 11810 ON LINE BETWEEN FOUND NW AND SW SECTION CORNERS AND IN LINE WITH FENCE TO THE EAST.



I hereby certify that this land surveying document was prepared and the related survey work was performed by me or under my direct personal supervision and that I am a duly licensed Land Surveyor under the laws of the State of Iowa.

J. Scott Shevel Date: 4/20/16
 J. Scott Shevel
 License Number 11810
 My license renewal date is December 31, 2017
 Pages covered by this seal 1

List Corners to be Indexed

Corners	Section	Twp.	Rng.
1.) NW	27	84	40
2.) W 1/4	27	84	40

PN: 15-17742
 DRAWN: JSS