

INDEXED dm/dm  
 FOLLOW UP JS  
 PROOFED JS  
 SCANNED BM

Crawford County Recorder  
 Denise Meeves  
**Fee Book 2013-2024**  
 08/22/2013 @11:45AM  
 PLC PLAT CORNER CER # Pages: 1  
 Book: Page: # Pages: 1  
 Total Fees: \$0.00

PREPARED BY: PAUL ASSMAN-CRAWFORD COUNTY ENGINEER'S OFFICE-COURTHOUSE-DENISON, IA.-712-263-2449

**UNITED STATES PUBLIC LAND SURVEY CORNER CERTIFICATE  
 OF**

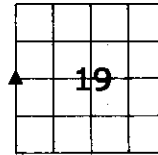
LAND SURVEY MONUMENT SITUATED IN GOODRICH TOWNSHIP, THE WEST 1/4 CORNER OF SECTION 19, T-84N,  
 R-39W OF THE FIFTH P.M. CRAWFORD COUNTY, IOWA.

PREVIOUSLY RECORDED AS NO. 2001-2578

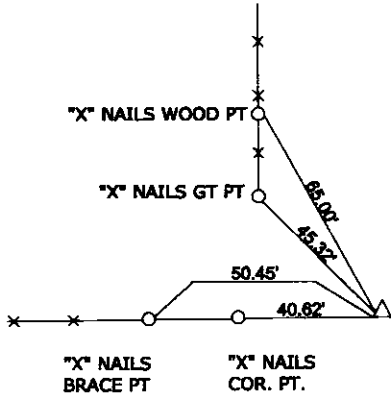
**MONUMENT DESCRIPTION AND REMARKS**

WEST 1/4 CORNER SEC. 19-84-39

FOUND CONC. MONUMENT AT SURFACE AND LOWERED  
 3.2' BELOW SURFACE AND SET 5/8" X 18" REBAR WITH  
 RED CAP #11982 OVER CONCRETE MONUMENT, 1.5' DEEP.



WEST 1/4 CORNER SEC. 19-84-39



ALL DISTANCES ARE SLOPE CHAINED

**CERTIFICATION:**

I HEREBY CERTIFY THAT THIS LAND SURVEYING DOCUMENT WAS PREPARED AND THE RELATED SURVEY  
 WORK WAS PERFORMED BY ME OR UNDER MY DIRECT PERSONAL SUPERVISION AND THAT I AM A DULY  
 LICENSED LAND SURVEYOR UNDER THE LAWS OF THE STATE OF IOWA.

Paul J. Assman  
 Signature

7/17/13  
 Date of Survey

PAUL J. ASSMAN  
 Typed Name

11982  
 L.S. No.

12-31-14  
 License Renewal Date

Pages covered by this seal 1

