

2002 JA -3 PM 4:08

INST. NO. *2602* **0032**  
 DENISE MEEVES, RECORDER  
*Denise Meeves*  
 FEE *56.00* *Mary Eiten Deputy*

PREPARED BY - PAUL J. ASSMAN - LICENSED LAND SURVEYOR - DENISON, IOWA 51442 - PHONE (712)263-8747

**UNITED STATES PUBLIC LAND SURVEY CORNER CERTIFICATE**

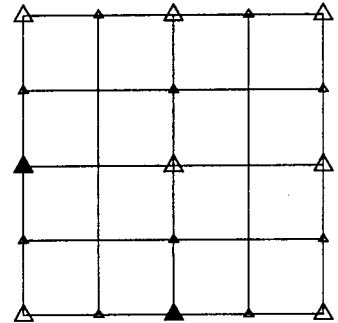
OF

LAND SURVEY MONUMENT SITUATED IN SECTION 35, T 84 N, R 39 W OF  
 THE 5TH P.M., CRAWFORD COUNTY, IOWA.

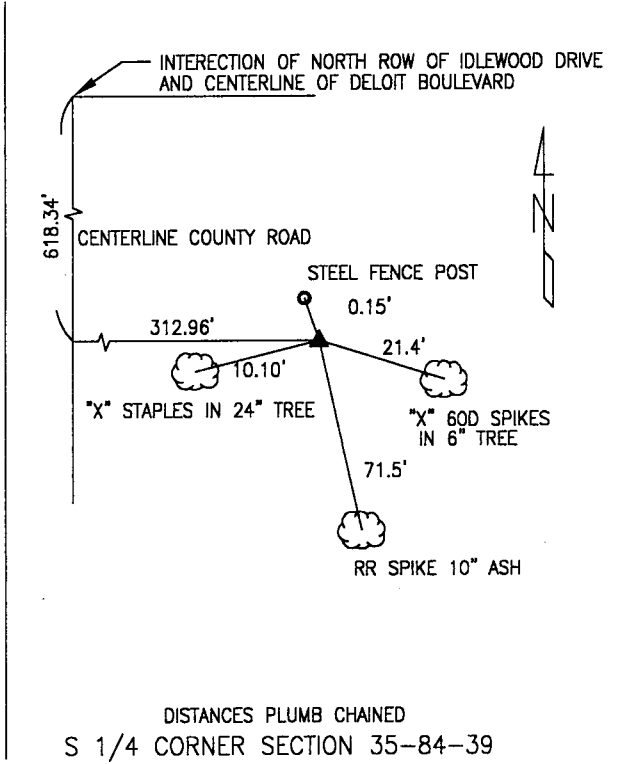
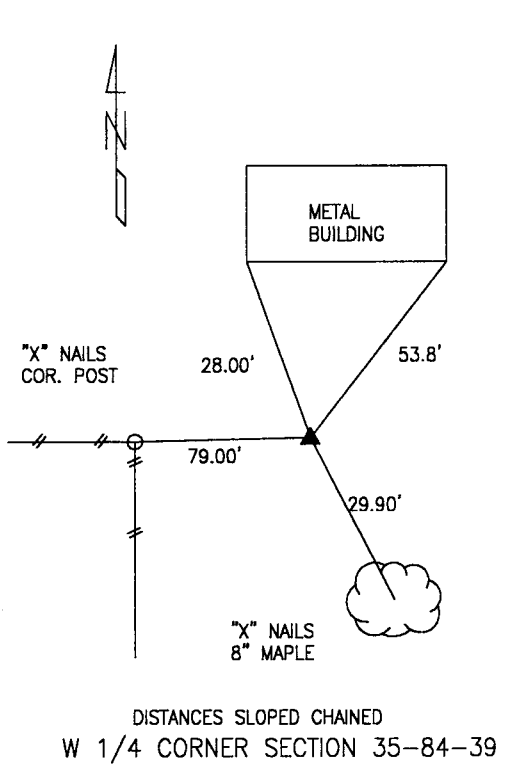
PREVIOUSLY RECORDED IN BOOK \_\_\_\_\_, PAGE \_\_\_\_\_, OTHER \_\_\_\_\_

MONUMENT DESCRIPTION AND REMARKS

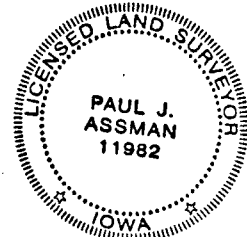
W 1/4 CORNER - FOUND 2" PIPE 6" DEEP  
 S 1/4 CORNER - FOUND 2" PIPE FLUSH WITH SURFACE



PLAN VIEW SHOWING RELATIVE LOCATION OF MONUMENT AND REFERENCE POINTS



I HEREBY CERTIFY THIS LAND SURVEYING DOCUMENT WAS PREPARED AND THE RELATED SURVEY WORK WAS PERFORMED BY ME OR UNDER MY DIRECT SUPERVISION AND THAT I AM A DULY LICENSED LAND SURVEYOR UNDER THE LAWS OF THE STATE OF IOWA.



*Paul J. Assman*  
 PAUL J. ASSMAN  
 IA LICENSE NO. 11982

*11/30/02*  
 DATE  
 EXP. DATE DECEMBER 31, 2002

DRAWN BY SJW