

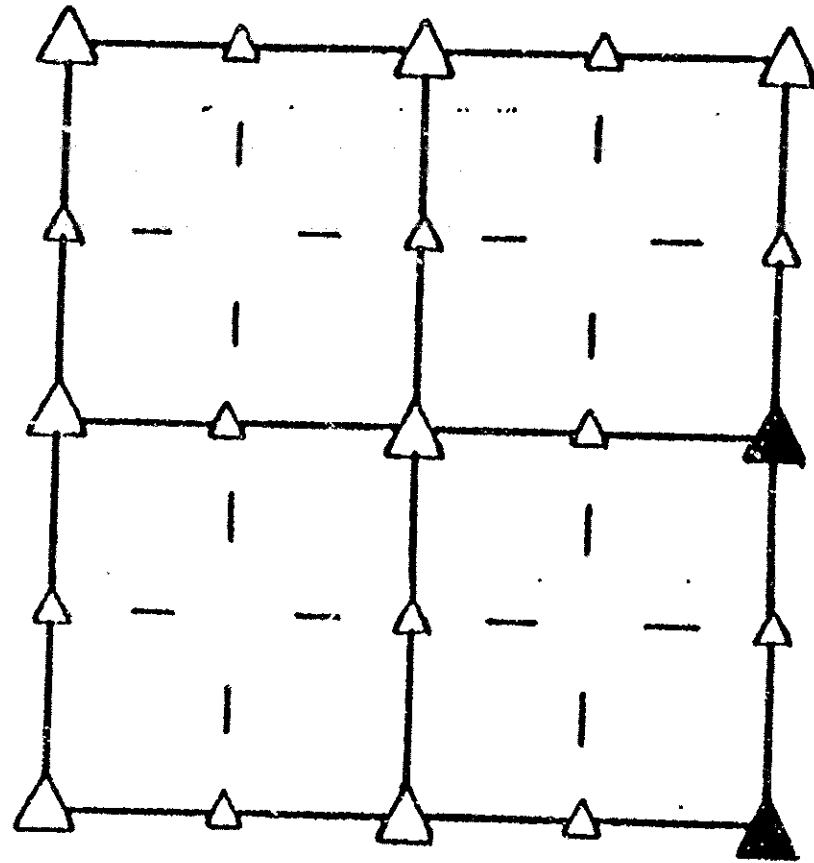
SECTION CORNER CERTIFICATE

LAND SURVEY MONUMENT SITUATED IN SECTION 26, T84 N, R39 W OF THE 5TH P.M., CRAWFORD COUNTY, IOWA.

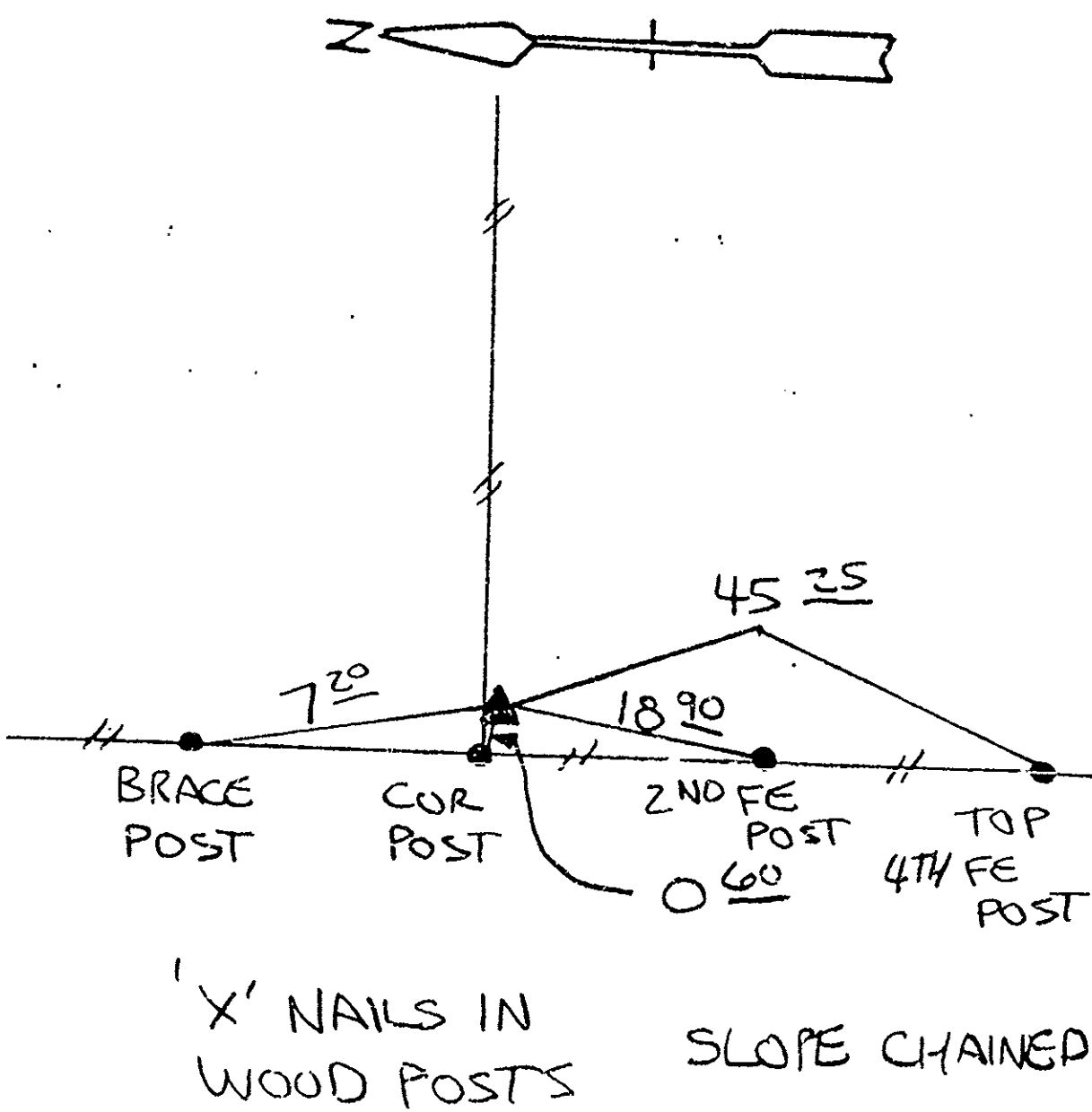
PREVIOUSLY RECORDED IN BOOK _____, PAGE _____, OTHER _____

DESCRIPTION OF EVIDENCE FOUND

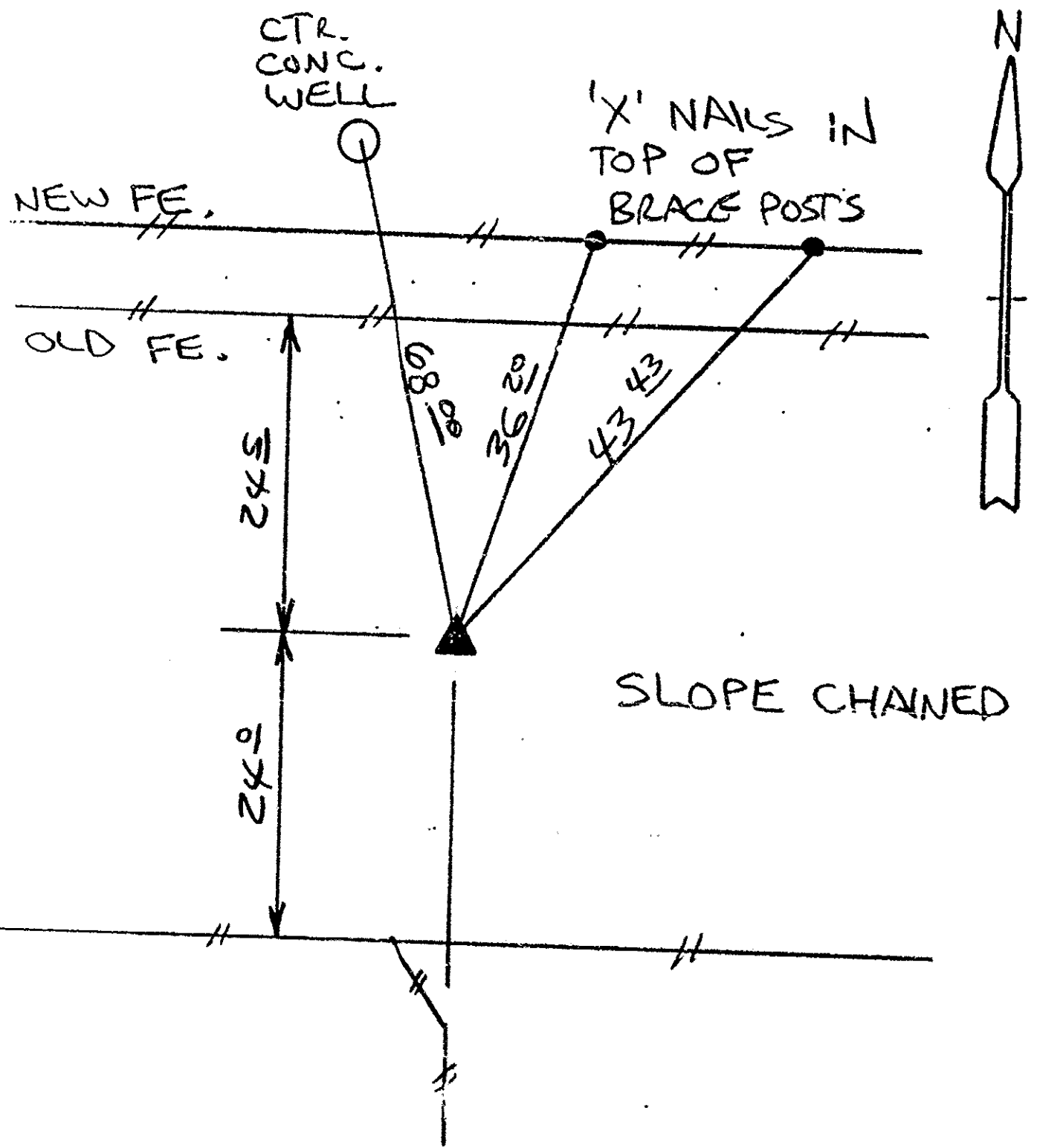
E 1/4 COR. - FOUND C.M. FLUSH W/ GROUND
 SE COR. - FOUND BROKEN C.M. FLUSH W/ GROUND



SKETCH SHOWING RELATIVE LOCATION OF MONUMENT AND REFERENCE POINTS. DESCRIPTION OF MONUMENT AND/OR ACCESSORIES ESTABLISHED.



E 1/4 COR. SEC. 26-84-39

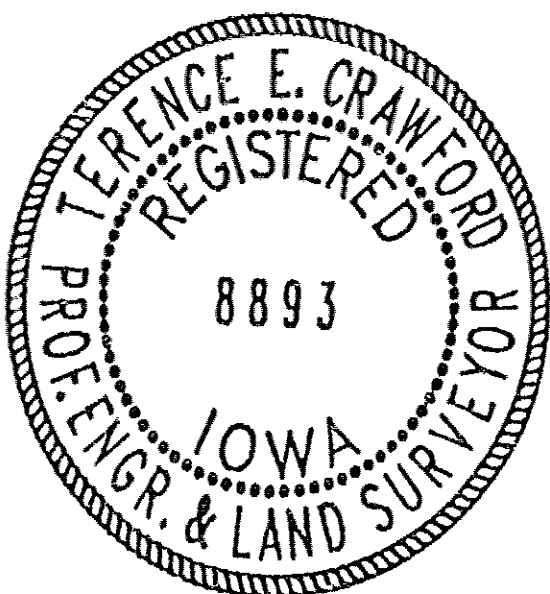


SE COR SEC. 26-84-39

I HEREBY CERTIFY THAT THIS PLAT, MAP, SURVEY OR REPORT WAS MADE BY ME OR UNDER MY DIRECT PERSONAL SUPERVISION AND THAT I AM A DULY REGISTERED LAND SURVEYOR UNDER THE LAWS OF THE STATE OF IOWA.

Terence E. Crawford

Terence E. Crawford



date DEC 03 1993

la reg. no. 8893

RECORDING OFFICER

FILED DENISON, IOWA
CRAWFORD COUNTY

93 DEC 10 AM 11:20

INST. NO. 93-3351
DENISE JURGENSEN, RECORDER

Denise Jurgensen
FEE \$ 6.00

INDEXED ME
FOLLOW UP _____
PROOFED _____