

INDEXED _____
 FOLLOW UP _____
 PROOFED _____
 SCANNED _____

Instrument #: 2018-1912
 09/18/2018 01:51:26 PM Total Pages: 1
 PLC PLAT CORNER CER
 Recording Fee: \$0.00 Transfer Tax: \$0
 Denise Meeves, Recorder, Crawford County Iowa



PREPARED BY: PAUL ASSMAN-CRAWFORD COUNTY ENGINEER'S OFFICE-COURTHOUSE-DENISON, IA.-712-263-2449

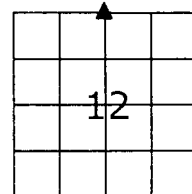
UNITED STATES PUBLIC LAND SURVEY CORNER CERTIFICATE OF

LAND SURVEY MONUMENT SITUATED IN GOODRICH TOWNSHIP, THE NORTH 1/4 CORNER OF SECTION 12,
T-84N, R-39W OF THE FIFTH P.M. CRAWFORD COUNTY, IOWA.

PREVIOUSLY RECORDED AS NO.

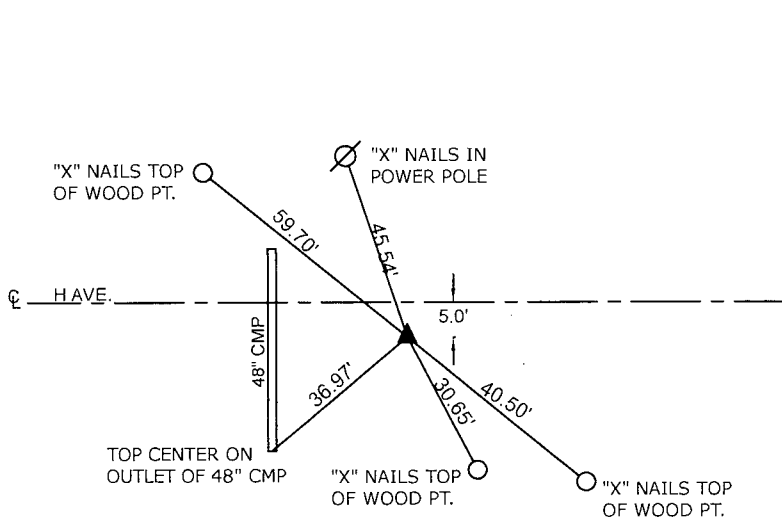
MONUMENT DESCRIPTION AND REMARKS

NORTH 1/4 CORNER SEC. 12-84-39



FOUND 1/2" IRON PIN 3.0' DEEP. COUNTY GRADED ROAD,
PROJECT NO. LG49-12N. VERIFIED AND RETIED CORNER.

NORTH 1/4 CORNER SEC. 12-84-39



ALL DISTANCES ARE SLOPE CHAINED

CERTIFICATION:

I HEREBY CERTIFY THAT THIS LAND SURVEYING DOCUMENT WAS PREPARED AND THE RELATED SURVEY WORK WAS PERFORMED BY ME OR UNDER MY DIRECT PERSONAL SUPERVISION AND THAT I AM A DULY LICENSED LAND SURVEYOR UNDER THE LAWS OF THE STATE OF IOWA.

Paul J. Assman _____ *7/31/18*
 Signature Date of Survey

PAUL J. ASSMAN 11982 12-31-18
 Typed Name L.S. No. License Renewal Date

