

2002 JA -3 PM 4:08

INST. NO. 2602-0032 DENISE MEEVES, RECORDER Denise Meeves FEE \$66.00 Mary Eiten Deputy

PREPARED BY - PAUL J. ASSMAN - LICENSED LAND SURVEYOR - DENISON, IOWA 51442 - PHONE (712)263-8747

UNITED STATES PUBLIC LAND SURVEY CORNER CERTIFICATE

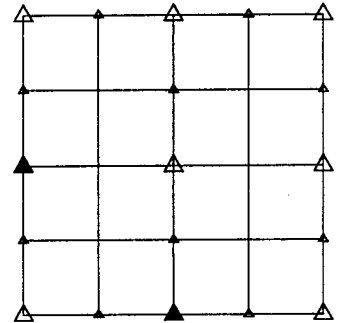
OF

LAND SURVEY MONUMENT SITUATED IN SECTION 35, T 84 N, R 39 W OF THE 5TH P.M., CRAWFORD COUNTY, IOWA.

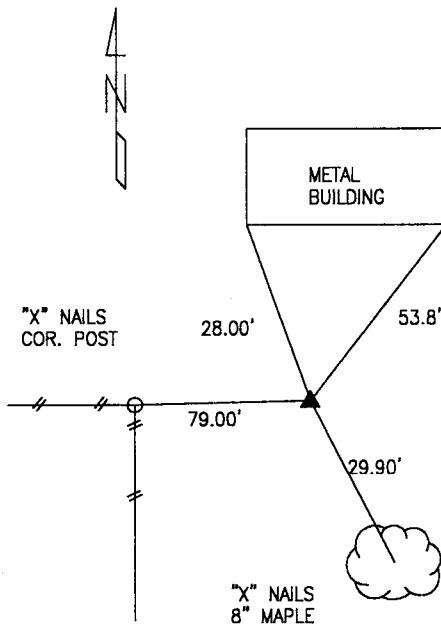
PREVIOUSLY RECORDED IN BOOK _____, PAGE _____, OTHER _____

MONUMENT DESCRIPTION AND REMARKS

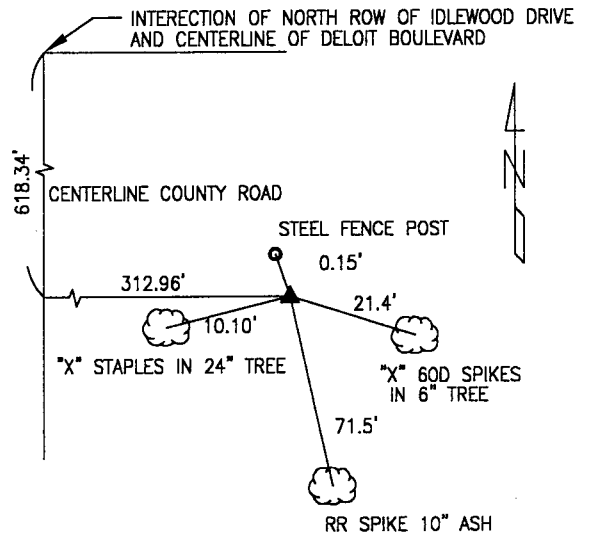
W 1/4 CORNER - FOUND 2" PIPE 6" DEEP S 1/4 CORNER - FOUND 2" PIPE FLUSH WITH SURFACE



PLAN VIEW SHOWING RELATIVE LOCATION OF MONUMENT AND REFERENCE POINTS

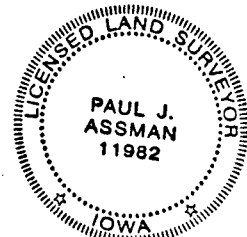


DISTANCES SLOPED CHAINED W 1/4 CORNER SECTION 35-84-39



DISTANCES PLUMB CHAINED S 1/4 CORNER SECTION 35-84-39

I HEREBY CERTIFY THIS LAND SURVEYING DOCUMENT WAS PREPARED AND THE RELATED SURVEY WORK WAS PERFORMED BY ME OR UNDER MY DIRECT SUPERVISION AND THAT I AM A DULY LICENSED LAND SURVEYOR UNDER THE LAWS OF THE STATE OF IOWA.



Signature of Paul J. Assman, DATE EXP. DATE DECEMBER 31, 2002

DRAWN BY SJW