

2000 MR 16 AM 10:45

INST. NO. 200-0682
DENISE MEEVES, RECORDER
Denise Meeves
FEE \$ 6.00

This document prepared by: Semke & Associates - 712-792-2276
Michael G. Semke, L.S.#10318 - 608 N. Court St., Carroll, Iowa

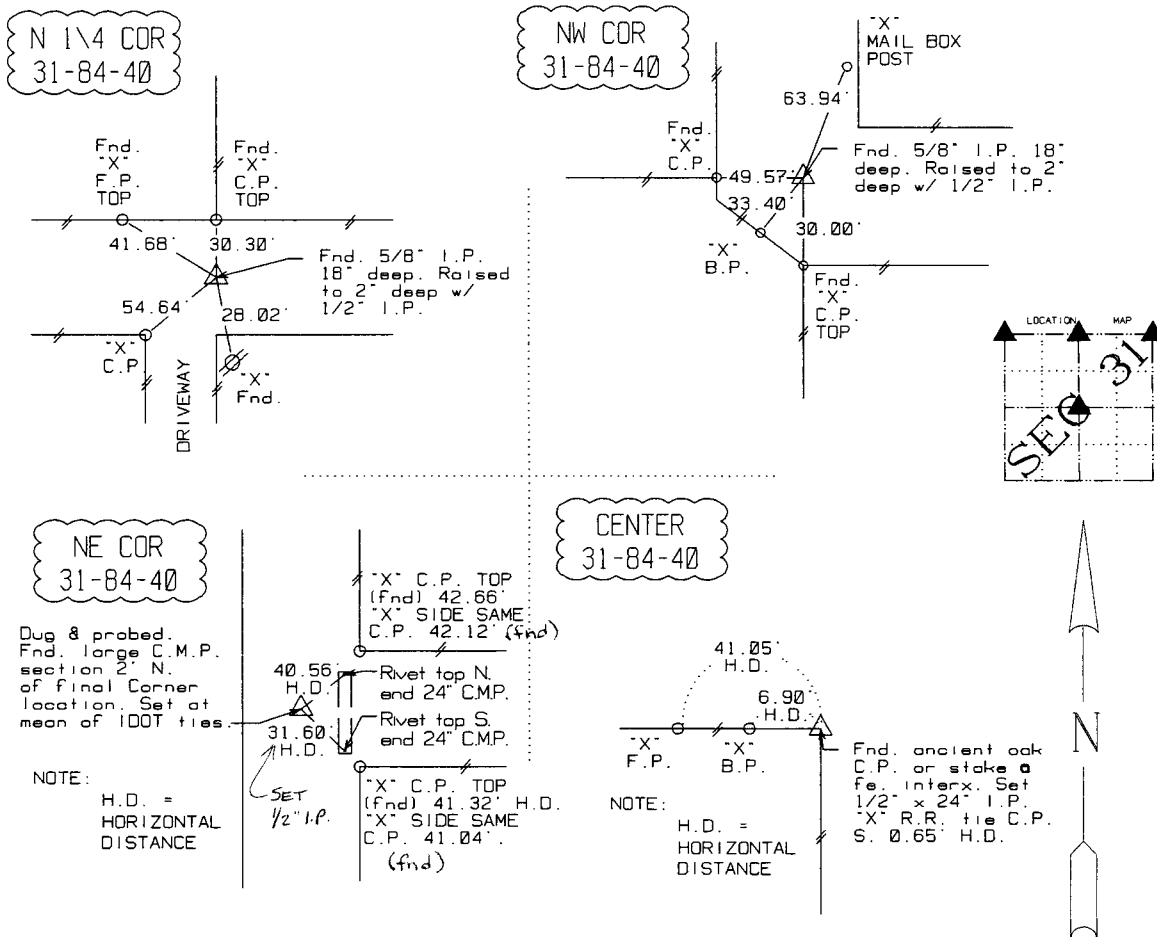
UNITED STATES PUBLIC LAND SURVEY CORNER CERTIFICATE
OF

Land Survey Monuments situated in Section 31, Township 84, Range 40, of the Fifth Principal Meridian, Crawford County, Iowa. Previously recorded in _____ in County Recorder's Office.
(book, page, document number, etc.)

(Show reason for preparing this certificate, the evidence and detailed procedures used in establishing the corner positions and monumentation found or placed.)

PLAN - VIEW

(Show a minimum of three reference ties to durable physical objects, relevant monuments and physical conditions that will enable recovery of the corner.)



Dug & probed. Fnd. large C.M.P. section 2' N. of final corner location. Set at mean of 100T ties.

NOTE: H.D. = HORIZONTAL DISTANCE

NOTE: H.D. = HORIZONTAL DISTANCE

Note: All ties slope chained unless noted.



I HEREBY CERTIFY THAT THIS CORNER CERTIFICATE WAS PREPARED BY ME OR UNDER MY DIRECT PERSONAL SUPERVISION AND THAT I AM A PROFESSIONAL LAND SURVEYOR UNDER THE LAWS OF THE STATE OF IOWA. MY REGISTRATION IS SUBJECT TO RENEWAL 12-31-01.

DATE 3/6/00 *Michael G. Semke*
MICHAEL G. SEMKE, RLS NO 10318

List Corners to be Indexed			
Corners	Section	Twp	Range
N 1/4	31	84	40
S 1/4	30	84	40
NE COR	31	84	40
NW COR	32	84	40
SE COR	30	84	40
SW COR	29	84	40
NW COR	31	84	40
NE COR	36	84	41
SE COR	25	84	41
SW COR	30	84	40
CENTER	31	84	40